

MAGCS-015-1 SCALE-iFlex™ Family

Cable Set to Connect Two Module Adapted Gate Drivers (MAGs)

Product Highlights

Highly Integrated, Compact Footprint

- Connection cable for SCALE-iFlex driver family between two module adapted gate drivers (MAGs)
- 6-pin connection for the high-side channel of the half-bridge module
- 8-pin connection for the low-side channel of the half-bridge module
- Mechanical locking
- Mechanical polarity inversion protection
- -40 °C to +85 °C operating ambient temperature

Applications

- Wind and photovoltaic inverters
- Traction inverters
- Industrial drives
- Other industrial applications

Description

This datasheet describes the connection cables between two Module Adapted Gate Drivers (MAG) of the SCALE-iFlex gate driver family. The cables are available in a 6- and an 8-pin-configuration. The 6-pin-connection is used for the high side channel of the semiconductor half-bridge module whereas the 8-pin connection is the connection of the low side channel. Two ferrite beads are integrated on each cable to reduce the common-mode currents between the paralleled connected MAGs and improve signal integrity.

Connectors

6-pin-Cable

Amphenol FCI 10073599-006LF (Female, 6 circuits, Minitek, 2mm pitch, center locking ramp)

8-pin-Cable

Amphenol FCI 10073599-008LF (Female, 8 circuits, Minitek, 2mm pitch, center locking ramp)

Crimps

Amphenol FCI 10044403-101LF (Minitek Crimp Terminal, female, 0.76µm select gold, AWG 22...24)

Ferrite Bead

Two ferrite ring cores with plastic housing are integrated on each cable. This improves signal integrity and reduces the common-mode currents between the two MAGs.

Pinning of 8-Pin Cable

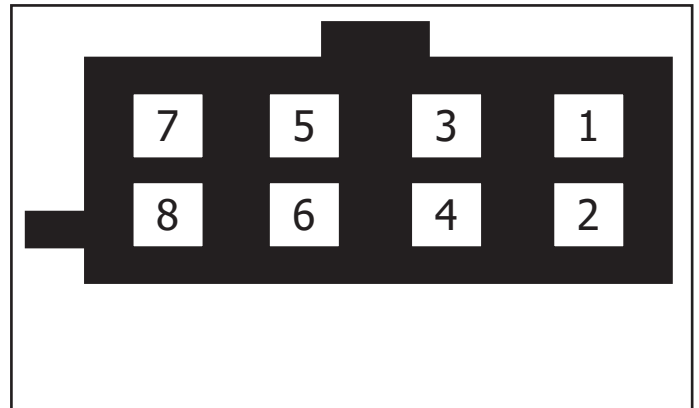


Figure 2. Pinning of 8-pin-Connector, top view, cable side.

Pinning of 6-Pin Cable

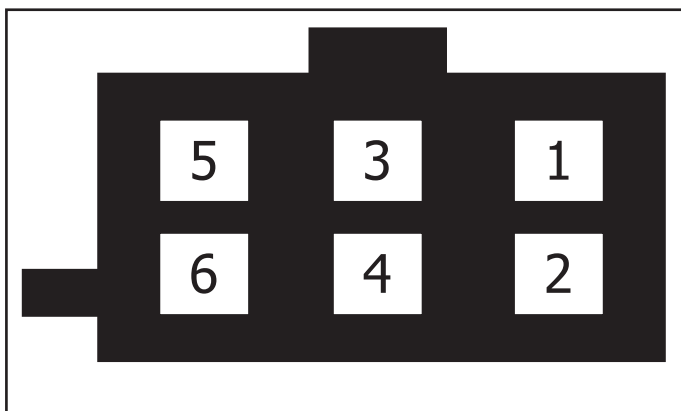


Figure 1. Pinning of 6-pin-Connector, top view, cable side.

Product Dimensions

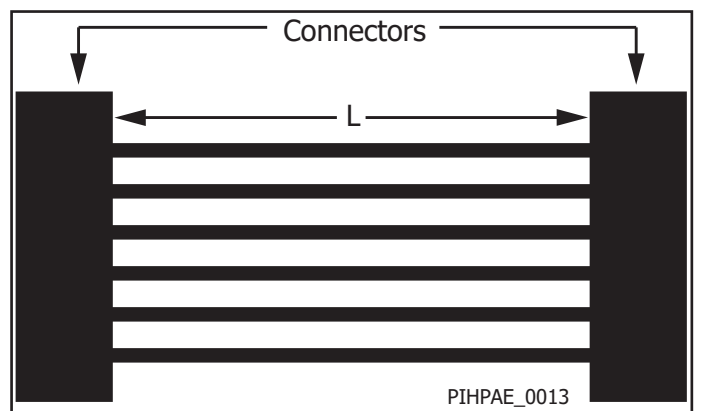


Figure 3. Definition of cable length.

Absolute Maximum Ratings

Parameter	Symbol	Conditions	Min	Max	Units
Absolute Maximum Ratings¹					
Storage temperature	T_{st}		-40	85	°C
Operating ambient temperature ²	T_A		-40	85	°C
Relative humidity	H_r	No condensation		93	%
Peak voltages between wires in cable	V_{max}		-200	200	V

Characteristics

Parameter	Symbol	Conditions $T_A = -40\text{ °C to }85\text{ °C}$	Min	Typ	Max	Units
Wire						
Wire Cross Section	D_{Cable}			24		AWG
Cable						
Length	L	see Figure 3		150		mm

Standards

MAGCS-015-1 fulfills the following standards in combination with SCALE-iFlex products:

- IEC 61373:2010, Railway applications - Rolling stock equipment - Shock and vibration tests, class 1B
- IEC 60721-3-5, Classification of environmental conditions - Part 3: Classification of groups of environmental parameters and their severities, 5M2
- Plastic materials compliant to EN45545-2, HL3 (Hazard Level 3)
- Plastic materials compliant to UL 94-V2

Routine Test

The following tests are performed before delivery:

- Continuity test
- Minimum impedance test to neighbor wires

Transportation and Storage Conditions

For transportation and storage conditions refer to Power Integrations' Application Note AN-1501.

RoHS Statement

We hereby confirm that the product supplied does not contain any of the restricted substances according Article 4 of the RoHS Directive 2011/65/EU in excess of the maximum concentration values tolerated by weight in any of their homogeneous materials.

Additionally, the product complies with RoHS Directive 2015/863/EU (known as RoHS 3) from 31 March 2015, which amends Annex II of Directive 2011/65/EU.

NOTES:

1. Stresses beyond those listed under absolute maximum ratings may cause permanent damage to the device.
2. The maximum ambient temperature of the final product is 85°C. Part of the cable may however be exposed to higher temperatures due to self-heating of the product.

Revision	Notes	Date
A	Final Datasheet.	12/22

For the latest updates, visit our website: www.power.com

Power Integrations reserves the right to make changes to its products at any time to improve reliability or manufacturability. Power Integrations does not assume any liability arising from the use of any device or circuit described herein. POWER INTEGRATIONS MAKES NO WARRANTY HEREIN AND SPECIFICALLY DISCLAIMS ALL WARRANTIES INCLUDING, WITHOUT LIMITATION, THE IMPLIED WARRANTIES OF MERCHANTABILITY, FITNESS FOR A PARTICULAR PURPOSE, AND NON-INFRINGEMENT OF THIRD PARTY RIGHTS.

Patent Information

The products and applications illustrated herein (including transformer construction and circuits external to the products) may be covered by one or more U.S. and foreign patents, or potentially by pending U.S. and foreign patent applications assigned to Power Integrations. A complete list of Power Integrations patents may be found at www.power.com. Power Integrations grants its customers a license under certain patent rights as set forth at www.power.com/ip.htm.

Life Support Policy

POWER INTEGRATIONS PRODUCTS ARE NOT AUTHORIZED FOR USE AS CRITICAL COMPONENTS IN LIFE SUPPORT DEVICES OR SYSTEMS WITHOUT THE EXPRESS WRITTEN APPROVAL OF THE PRESIDENT OF POWER INTEGRATIONS. As used herein:

1. A Life support device or system is one which, (i) is intended for surgical implant into the body, or (ii) supports or sustains life, and (iii) whose failure to perform, when properly used in accordance with instructions for use, can be reasonably expected to result in significant injury or death to the user.
2. A critical component is any component of a life support device or system whose failure to perform can be reasonably expected to cause the failure of the life support device or system, or to affect its safety or effectiveness.

Power Integrations, the Power Integrations logo, CAPZero, ChiPhy, CHY, DPA-Switch, EcoSmart, E-Shield, eSIP, eSOP, HiperPLC, HiperPFS, HiperTFS, InnoSwitch, Innovation in Power Conversion, InSOP, LinkSwitch, LinkZero, LYTSwitch, SENZero, TinySwitch, TOPSwitch, PI, PI Expert, PowiGaN, SCALE, SCALE-1, SCALE-2, SCALE-3 and SCALE-iDriver, are trademarks of Power Integrations, Inc. Other trademarks are property of their respective companies. ©2022, Power Integrations, Inc.

Power Integrations Worldwide Sales Support Locations

World Headquarters

5245 Hellyer Avenue
 San Jose, CA 95138, USA
 Main: +1-408-414-9200
 Customer Service:
 Worldwide: +1-65-635-64480
 Americas: +1-408-414-9621
 e-mail: usasales@power.com

China (Shanghai)

Rm 2410, Charity Plaza, No. 88
 North Caoxi Road
 Shanghai, PRC 200030
 Phone: +86-21-6354-6323
 e-mail: chinasales@power.com

China (Shenzhen)

17/F, Hivac Building, No. 2, Keji Nan
 8th Road, Nanshan District,
 Shenzhen, China, 518057
 Phone: +86-755-8672-8689
 e-mail: chinasales@power.com

Germany (AC-DC/LED Sales)

Einsteinring 24
 85609 Dornach/Aschheim
 Germany
 Tel: +49-89-5527-39100
 e-mail: eurosales@power.com

Germany (Gate Driver Sales)

HellwegForum 3
 59469 Ense
 Germany
 Tel: +49-2938-64-39990
 e-mail: igbt-driver.sales@power.com

India

#1, 14th Main Road
 Vasanthanagar
 Bangalore-560052 India
 Phone: +91-80-4113-8020
 e-mail: indiasales@power.com

Italy

Via Milanese 20, 3rd. Fl.
 20099 Sesto San Giovanni (MI) Italy
 Phone: +39-024-550-8701
 e-mail: eurosales@power.com

Japan

Yusen Shin-Yokohama 1-chome Bldg.
 1-7-9, Shin-Yokohama, Kohoku-ku
 Yokohama-shi,
 Kanagawa 222-0033 Japan
 Phone: +81-45-471-1021
 e-mail: japansales@power.com

Korea

RM 602, 6FL
 Korea City Air Terminal B/D, 159-6
 Samsung-Dong, Kangnam-Gu,
 Seoul, 135-728, Korea
 Phone: +82-2-2016-6610
 e-mail: koreasales@power.com

Singapore

51 Newton Road
 #19-01/05 Goldhill Plaza
 Singapore, 308900
 Phone: +65-6358-2160
 e-mail: singaporesales@power.com

Taiwan

5F, No. 318, Nei Hu Rd., Sec. 1
 Nei Hu Dist.
 Taipei 11493, Taiwan R.O.C.
 Phone: +886-2-2659-4570
 e-mail: taiwansales@power.com

UK

Building 5, Suite 21
 The Westbrook Centre
 Milton Road
 Cambridge
 CB4 1YG
 Phone: +44 (0) 7823-557484
 e-mail: eurosales@power.com