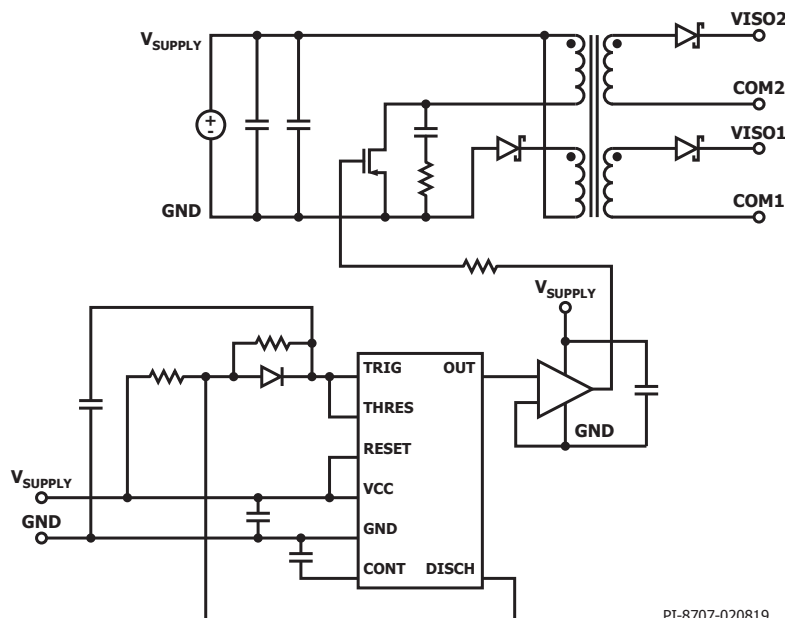


DC-DC Converter Family SIT2xxI

- Reinforced isolation for 600 V / 650 V / 1200 V IGBT and SiC MOSFET applications
- Dual-channel DC-DC transformer, 1.3 W output per channel
- Choice of primary-to-secondary winding ratios
- Optimized for use in forward DC-DC converter topologies



DC-DC Transformer for SCALE-iDriver™ Gate Driver ICs



PI-8707-020819

Applications

- Industrial drives (GPD, VFD, AC drives and servo drives)
 - LV STATCOM
 - Uninterruptible power supplies (UPS)
 - Photovoltaic inverters
-

Certifications

- EN 61558-2-16+A1:2013 compliant
 - 100% HIPOT test at 5.4 kV RMS 1s (pri-sec), 2.7 kV RMS 1s (sec-sec)
 - DIN EN 61558-1 approved
 - UL 1446 approved
 - Halogen free and RoHS compliant
-

